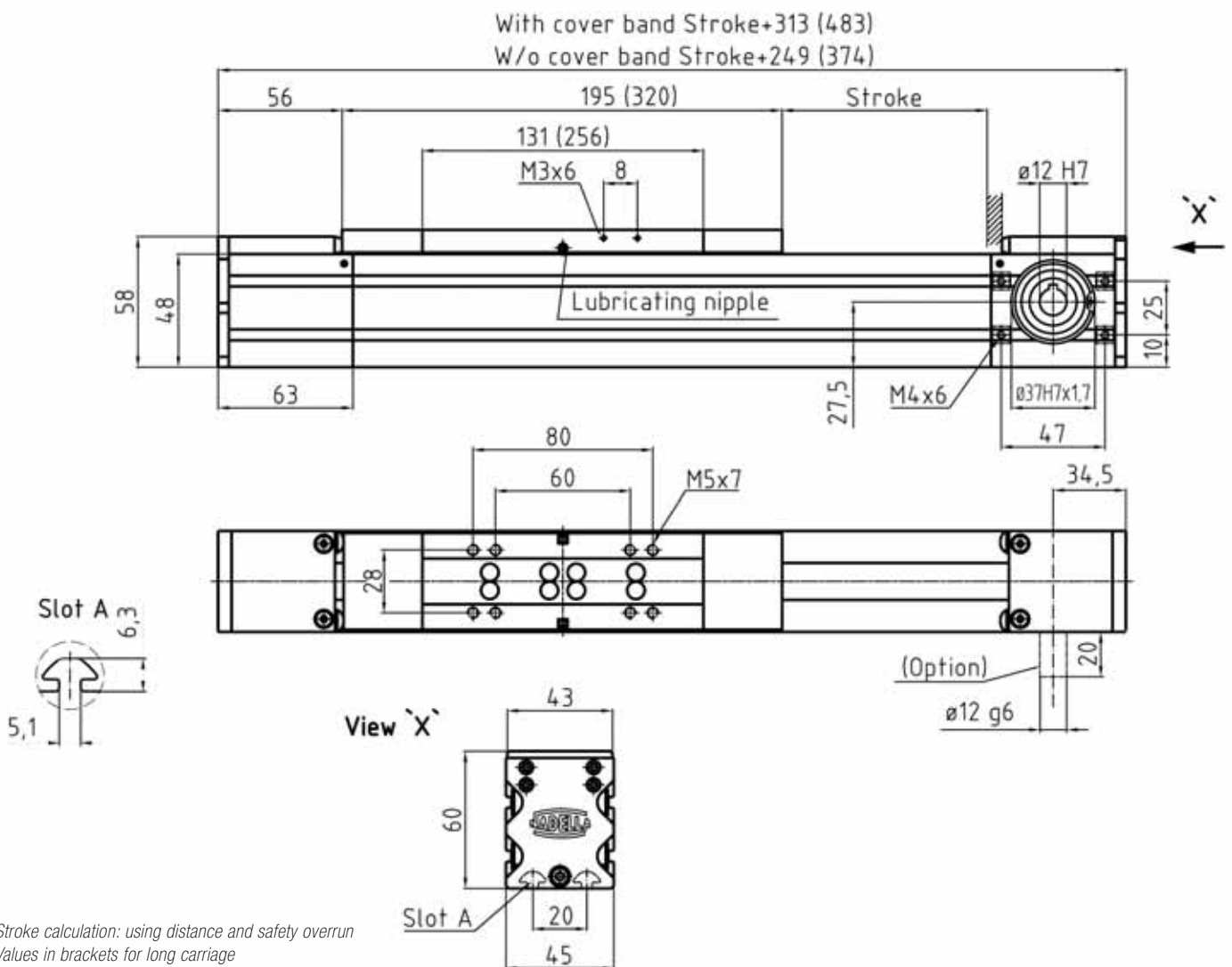


BASIC-LINE AXNP-Z

AXNP 45-Z

Actuator with toothed belt and roller or rail guide.

Rust-resistant version available.

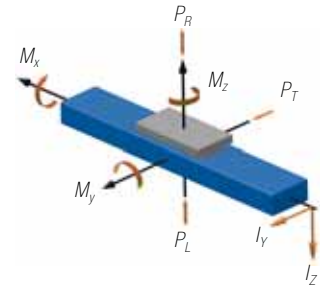


Stroke calculation: using distance and safety overrun
Values in brackets for long carriage
Motor connection see chapter Drive adaption

4.2

LOADS AND LOAD MOMENTS*

Loads (N)	Roller guide LR 24.06		Rail guide B 9	
	dyn.	stat.	dyn.	stat.
P_R	570 (950)	1040 (2000)	660	910
P_L	570 (950)	1040 (2000)	660	910
P_T	1030 (1710)	1810 (3500)	660	910
Load moments (Nm)				
M_x	8 (14)	15 (30)	4.5	6
M_y	16 (45)	27 (90)	18	25
M_z	30 (80)	54 (170)	18	25



* The dynamic load of the guide system is based on a nominal lifetime of 54000 km
 Values in brackets for execution with long carriage. Long carriage with rail guide upon request

TECHNICAL DATA

Max. speed	max. 6 m/s (LR 24.06)
Repeating accuracy	± 0.05 mm/m
Actuation	Toothed belt 16 AT5
Max. dynamic working load	325 N
Feed rate per rotation	100 mm
Idle-running torque	0.2 – 0.3 Nm
Moment of inertia	0.383 kgcm ²
Max. length overall	6 m
Geometrical moment of inertia I_y	21.7 cm ⁴
Geometrical moment of inertia I_z	22.5 cm ⁴

MASS

	Roller guide LR 24.06	Rail guide B 9
Basic mass	1.8 kg	1.8 kg
Mass per 100 mm stroke	0.3 kg	0.35 kg
Slide mass with cover band	0.55 kg (1.05 kg)	0.55 kg
Slide mass w/o cover band	0.5 kg (1.00 kg)	0.5 kg