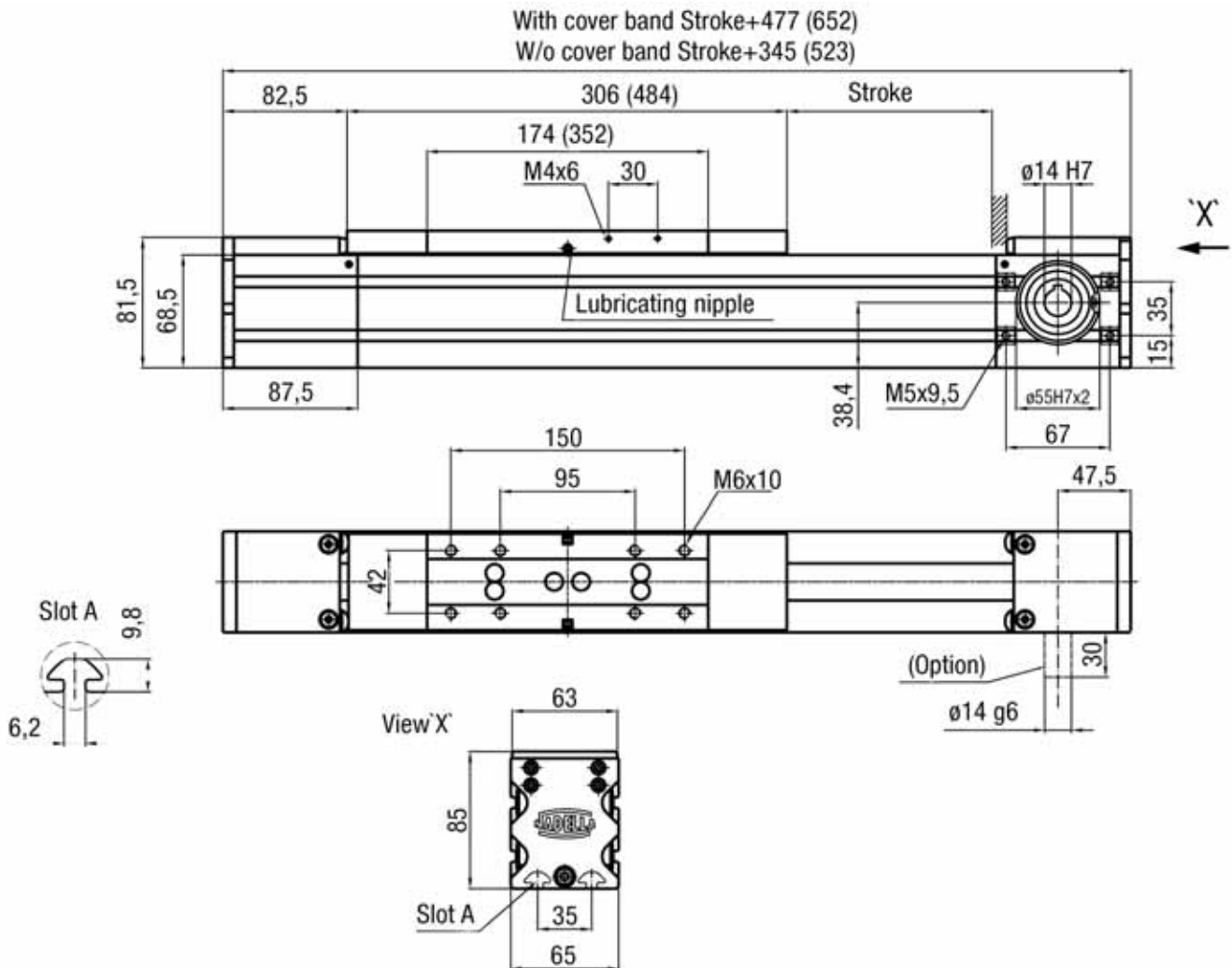


BASIC-LINE AXNP-Z

AXNP 65-Z

Actuator with toothed belt and roller or rail guide.

Rust-resistant version available.

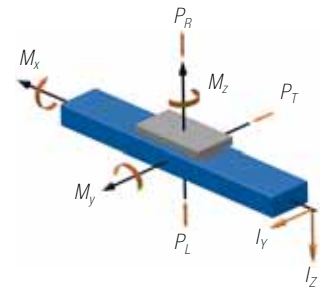


Stroke calculation: using distance and safety overrun
Values in brackets for long carriage
Motor connection see chapter Drive adaption

4.3

LOADS AND LOAD MOMENTS*

Loads (N)	Roller guide LR 35.10		Rail guide B 15	
	dyn.	stat.	dyn.	stat.
P_R	995 (1700)	2400 (4500)	2750	9650
P_L	995 (1700)	2400 (4500)	2750	9650
P_T	1940 (3500)	3200 (6500)	2750	9650
Load moments (Nm)				
M_x	20 (40)	40 (80)	19	69
M_y	30 (112)	75 (250)	95	345
M_z	70 (220)	120 (400)	95	345



* The dynamic load of the guide system is based on a nominal lifetime of 54000 km
Values in brackets for execution with long carriage. Long carriage with rail guide upon request

TECHNICAL DATA

Max. speed	max. 10 m/s (LR 35.10)
Repeating accuracy	± 0.05 mm/m
Actuation	Toothed belt 32 AT5
Max. dynamic working load	650 N
Feed rate per rotation	150 mm
Idle-running torque	0.8 – 1.0 Nm
Moment of inertia	2.994 kgcm ²
Max. length overall	6 m (one-piece) ¹⁾
Geometrical moment of inertia I_y	80.2 cm ⁴
Geometrical moment of inertia I_z	89.2 cm ⁴

¹⁾ Major length upon request

MASS

	Roller guide LR 35.10	Rail guide B 15
Basic mass	4.8 kg	4.8 kg
Mass per 100 mm stroke	0.6 kg	0.7 kg
Slide mass with cover band	1.6 kg (3.2 kg)	1.7 kg
Slide mass w/o cover band	1.4 kg (3.00 kg)	1.5 kg

Values in brackets for execution with long carriage